

**FLOW-TEK VALVES
& CONTROLS INC.**



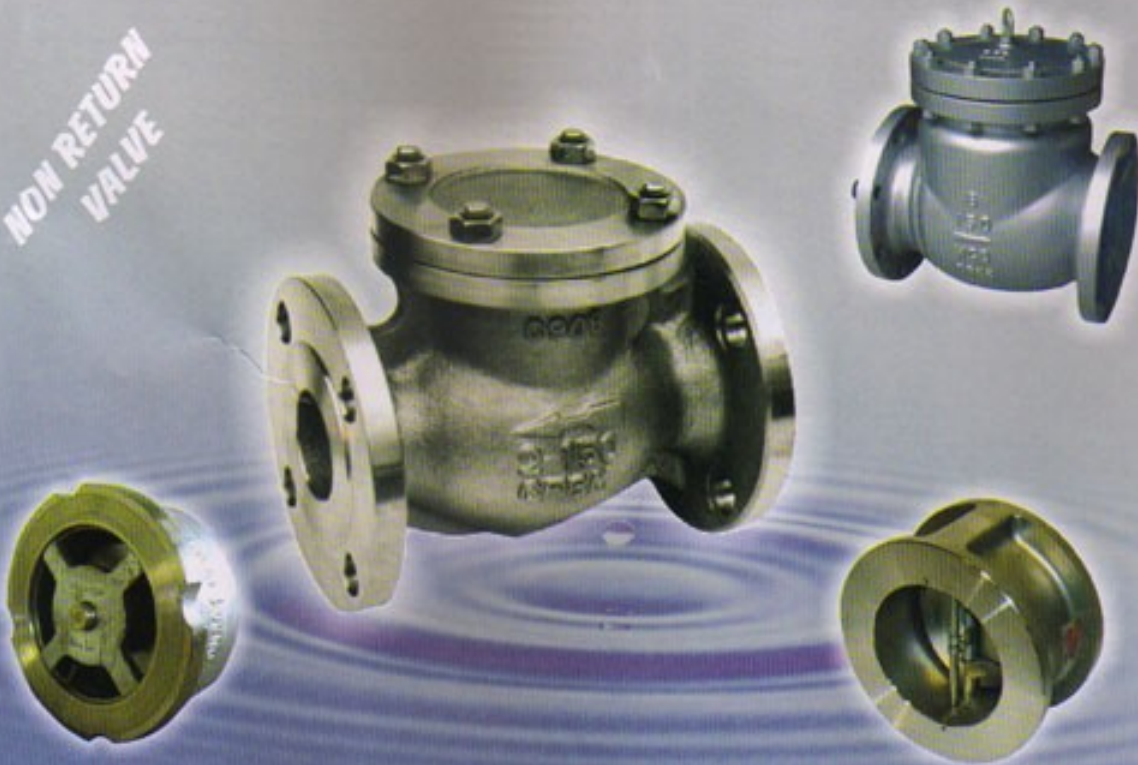
AN ISO 9001 : 2008 CERTIFIED COMPANY

MANUFACTURER & EXPORTER OF

Flow-age

MAKE SPECIALISED INDUSTRIAL VALVES

**NON RETURN
VALVE**



flow-age

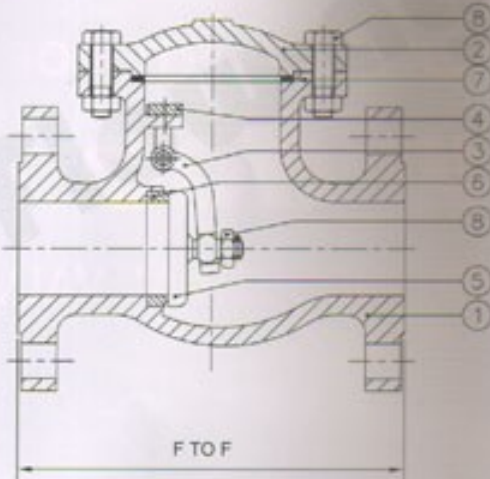
" All Types of Valve for whole Project"

www.flowagevalves.com

NON RETURN VALVE

SWING TYPE CHECK VALVE

"Flow age" Swing Type Check Valves are heavy duty, bolted cover, renewable seat ring, and body mounted disc swing type. Valves are straight through flow which works automatically. They are opened by the force of velocity pressure closed by the force of gravity and back pressure. The valves are single direction flow and restrains flow in opposite direction. Distortion, wear and noisy operation of the valve can be avoided by selecting the size of the basis of flow conditions.



NOMENCLATURE

NO.	PART NAME	MATERIAL
1	BODY	C.I. TO IS 210 FG 200 / 220 / 260 /
2	COVER	ASTM A 216 GR.WCB /ASTM A 105/WC6
3	HINGE	ASTM A 351 GR.CF8 /ASTM A 182 GR.F-304 /AISI 304
4	HINGE PLATE	ASTM A 351 GR.CF8M /ASTM A 182 GR.F-316 /AISI 316
5	DISC	C.I. TO IS 210 GR. FG 200 /8M/3 /3M /CN-7 /A 105
6	SEAT	ASTMA216 GR. WCB WITH 13% CR. WELDING DEPOSITION
7	GASKET	AISI 410
8	BOLTS & NUT	GRAPHITED ASBESTOS
		ASTMA 193 GR. B7 / 194 GR. 2H

TESTING STANDARD: (API 598 / API 6D)

TEST TYPE	TEST PRESSURE			
	CLASS 150	CLASS 300	CLASS 600	
HYDRO SHELL	Kg/Cm	30	76	150
	Psig	425	1090	2130
HYDRO SEAT	Kg/Cm	22	55	110
	Psig	310	790	1560
AIR TEST	Kg/Cm	6.0		
	Psig	80		

DIMENSION: (F TO F)

VALVE SIZE (MM)	FLANGED		
	150#	300#	600#
15	—	—	—
20	—	—	—
25	127	203	216
32	139.7	216	228.6
40	165	228.6	241
50	203	267	292
65	216	292	330
80	241	318	356
100	292	356	432
125	355.6	400	508
150	406	444	559
200	495	533	660
250	622	622	787
300	698	711	838
350	787	838	889
400	914	864	991
450	978	978	1092
500	978	1016	1194
550	1067	—	1295
600	1295	1346	1397

ALL DIMENSION ARE IN MM.

APPLICABLE STANDARDS:

- STEEL SWING TYPE CHECK VALVES : API 6D
- STEEL SWING TYPE CHECK VALVES : BS 1868.
- STEEL VALVES : ANSI B 16.34
- FACE TO FACE : ANSI B 16.10
- END DRILLED : ANSI B 16.5
- BUTT WELD END : ANSI B 16.25
- INSPECTION AND TEST : API 598 / API 6D
- IBR APPROVED

DESIGN DESCRIPTION:

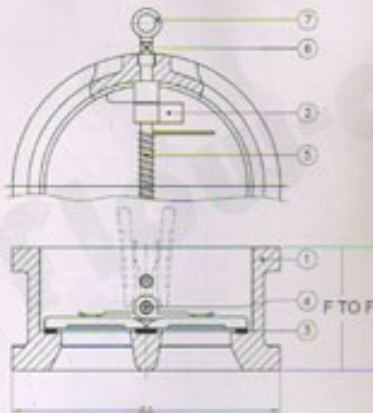
- BB, BOLTED COVER
- SWING TYPE, ANTI-ROTATION DISC
- RENEWABLE SEAT RINGS
- NON-PENETRATE DISC SHAFT
- HORIZONTAL OR VERTICAL SERVICE
- FLANGED OR BUTTWELDING ENDS

DUAL PLATE CHECK VALVE

"Flow age" Dual Plate Check Valves developed by us consists of a wafer type Body, Plates equipped with inlayed seal in dove tail groove on body seat, corrosion spring and pin provided internally. The valve is so compact, that the face to face may be reduced to about 25% and weight to about 20% when compared to convention Swing Type Check Valves, which are not only bulky, expensive and difficult to maintain, but also less durable.

All the valves are manufacturing as per international Design and standards to get the Total Interchangeable, Finest Quality and Workmanship.

DESIGN & DIMENSIONS AS PER API 594 EXPECT FOR ANSI 125 SERIES 2½" (65 MM) THROUGH 20" (500 MM)
VALVE INSPECTION & TESTING AS PER API 598



NOMENCLATURE

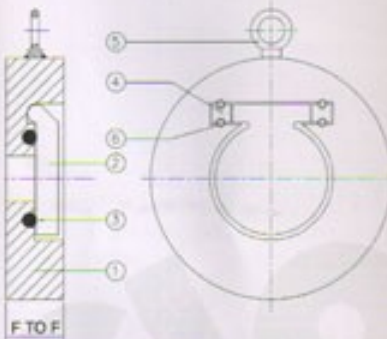
NO.	PART NAME	MATERIAL
1	BODY	C.I. TO IS 210 FG 200 / 220 / 260 / ASTM A 216 GR.WCB / ASTM A 105/WCB ASTM A 351 GR.CF8 / ASTM A 182 GR.F-304 / AISI 304/ASTM A 351 GR.CF8M / ASTM A 182 GR.F-316 / AISI 316C.I. TO IS 210 GR. FG 200 /8M /3 /3M /CN-7 /A 105
2	DISC	ASTM A 351 GR. CF 8 / 410/304/316/304L/316L
3	SEAT	410/304/316/304L/316L
4	SPINDLE	AISI 410 (13% Cr. Steel)
5	SPRING	S.S.
6	PLUG	C.S.
7	LIFTING HOOK	C.S.

DIMENSION: (F TO F)

VALVE SIZE (MM)	150#	300#	600#
50	60	60	60
65	67	67	67
80	73	73	73
100	73	73	79
125	-	-	-
150	98	98	136
200	127	127	165
250	146	146	213
300	181	181	229
350	194	222	273
400	191	232	305
450	203	264	362
500	219	292	368
600	222	318	438
750	305	368	505
900	368	483	635
1050	432	568	701
1200	524	629	-

ALL DIMENSION ARE IN MM.

WAFER TYPE CHECK VALVE: "Flow age" make short face to face dimensions and the low weight guarantee a simple and space saving installation between bolts of connecting flanges.



NOMENCLATURE

NO.	PART NAME	MATERIAL
1	BODY	C.I. TO IS 210 FG 200 / 220 / 260 /C.S. ASTM A 216 GR.WCB /ASTM A 105/WCB ASTM A 351 GR.CF8 / ASTM A 182 GR.F-304 /AISI 304 ASTM A 351 GR.CF8M / ASTM A 182 GR.F-316 /AISI 316 C.I. TO IS 210 GR. FG 200 /8M /3 /3M /CN-7 /A 105
2	DISC WITH HINGE	S.S. 304/ 304L/ 316/ 316L
3	SEAL	NEOPRENE/ VITON / SILICON
4	HINGE HOLDER	AISI 304/ 304L / 316/ 316L
5	HOOK	M.S./S.S.
6	CLAMPING GRUB SCREW	M.S. / S.S./CARBON STEEL /S.S.304

DIMENSION: (F TO F)

VALVE SIZE (MM)	150#	300#
15	-	-
20	-	-
25	15.9	15.9
32	15.9	15.9
40	15.9	15.9
50	15.9	15.9
65	19.1	19.1
80	19.1	19.1
100	19.1	19.1
150	19	22
200	29	29
250	29	38
300	38	51
350	41	50.8
400	51	50.8
450	60	76.2
500	70	82.6

ALL DIMENSION ARE IN MM.

DESIGN DESCRIPTION:

- MATERIAL** : ASTM SPECIFICATION
- TRIMS** : VARIETIES OF COMBINATIONS SOFT SEAT FOR TIGHT SHUT-OFF LESSER WEIGHT, SMALLER SIZE AND LESSER FORCE TO OPEN
- OPTIONAL** : REPLACEMENT OF CONVENTIONAL CHECK VALVES WITHOUT PIPELINE MODIFICATION

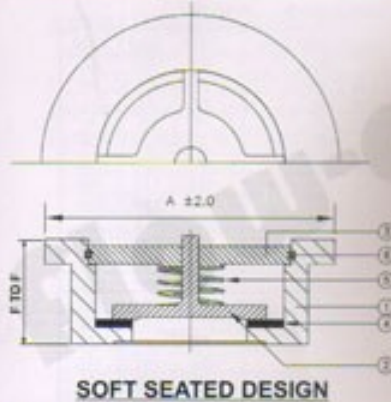
APPLICABLE STANDARDS :

- DESIGN STD** : API 6D / API 594
- WAFER CHECK VALVES** : ANSI B 16.34
- FACE TO FACE** : API 6D / API 594
- TESTING** : API 6D / API 598

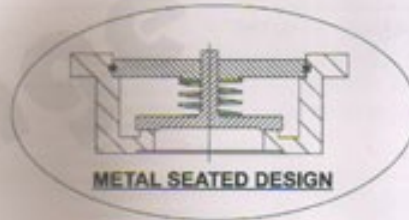
DISC TYPE CHECK VALVE (NON-SLAM CHECK VALVE / SINGLE DISC CHECK VALVE)

"Flow age" Disc Type Check Valve is spring loaded normally closed. The center guided disc is spring loaded. The once patented make feature that results in silent shut off is the relation of the disc to the seat when in the open position. This distance is approximately $\frac{1}{4}$ of the valve size. It is the short disc travel distance coupled with the spring force that results in silent shut-off.

"Flow age" makes wafer design Disc Type Check Valve utilizes for wide range of applications. Wafer check valve approaches the best pressure drop performance available in any check valves on the market. Compact design wafer type check valves are for silent operations essential. Wafer check valves are suitable to install in any position between ANSI 150# and 300# flanges.



SOFT SEATED DESIGN



TESTING STANDARD: (API 598)

TEST TYPE	TEST PRESSURE	
	CLASS 150	CLASS 300
HYDRO SHELL	Kg/Cm	15
	Paig	215
HYDRO SEAT	Kg/Cm	10
	Paig	140

DIMENSION: (F TO F)

VALVE SIZE (MM)	FLANGED 300#	
	150#	300#
15	43	43
25	62	62
40	81	81
50	100	100
65	119	119
80	138	138
100	158	158

All DIMENSION ARE IN MM.

NOMENCLATURE

NO.	PART NAME	MATERIAL
1	BODY	C.I. TO IS 210 FG 200 / 220 / 260 / ASTM A 216 GR.WCB / ASTM A 105/WC6 / ASTM A 351 GR.CF8 / ASTM A 182 GR.F-304 / AISI 304 / ASTM A 351 GR.CF8M / ASTM A 182 GR.F-316 / AISI 316C.I. TO IS 210 GR. FG 200 / BM / 3 / 3M / CN-7 / A 105
2	DISC	AISI 304 / 316 / 410 / 304L / 316L
3	DISC GUIDE	AISI 304 / 316
4	SEAT	P.T.F.E. / NEOPRENE / E.P.D.M. / VITON / SILICON
5	SPRING	S.S. 304 / 316
6	LOCK RING	AISI 304 / 316

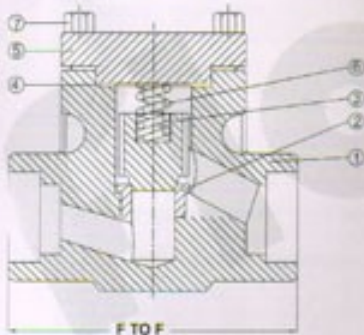
APPLICABLE STANDARDS:
DESIGN STD.: DIN - 3230
INSPECTION AND TEST: API 598

DESIGN DESCRIPTION:

- COMPACT DESIGN
- SHORT FACE TO FACE
- LOW WEIGHT
- LOWEST COST
- LOWER PRESSURE DROPS ONE VALVE
- FOR 150# OR 300# MOUNTING
- EASY INSTALLATION
- SILENT SHUT OFF
- INSTALL IN ANY POSITION SIZE : 1/2 TO 4" FOR 150# OR 300# MOUNTING

LIFT TYPE CHECK VALVE:

"Flow age" make Forged Steel Lift Type Check Valves are available with bolted covers having spiral wound gaskets made of Stainless Steel/graphite. The check valves are available in Piston Check or Swing Check valve designs.



NOMENCLATURE

NO.	PART NAME	MATERIAL
1	BODY	C.I. TO IS 210 FG 200 / 220 / 260 / ASTM A 216 GR.WCB / ASTM A 105/WC6 / ASTM A 351 GR.CF8 / ASTM A 182 GR.F-304 / AISI 304 / ASTM A 351 GR.CF8M / ASTM A 182 GR.F-316 / AISI 316C.I. TO IS 210 GR. FG 200 / BM / 3 / 3M / CN-7 / A 105
2	SEAT RING	AISI 410/304/316
3	PLUG	AISI 410/304/316
4	GASKET	SPIRAL WOUND SS 304 FILLED WITH ASBESTOS
5	COVER	ASTMA 105
6	SPRING	SS 304/316
7	COVER BOLT	ASTMA 193 GRB7

DIMENSION: (F TO F)

VALVE SIZE (MM)	800#	1500#
15	73	73
20	82	94
25	108	122
40	152	160
50	148	178

All DIMENSION ARE IN MM.

APPLICABLE STANDARDS:

- DESIGN STD. : BS 5352
- STEEL VALVES : ANSI B 16.34
- FACE TO FACE : ANSI B 16.10
- END DRILLED : ANSI B 16.5
- BUTT WELD END : ANSI B 16.25
- SOCKET WELD END : ANSI B 16.11
- INSPECTION AND TEST : API 598 / BS 5146
- IBR APPROVED

DESIGN DESCRIPTION

- BOLTED COVER
- CONVENTIONAL OR FULL PORT
- HORIZONTAL SERVICE

TESTING STANDARD : (API 598 / API 6D)

TEST TYPE	TEST PRESSURE	
	CLASS 800	CLASS 1500
HYDRO SHELL	Kg/Cm	210
	Paig	2960
HYDRO SEAT	Kg/Cm	153
	Paig	2170
AIR TEST	Kg/Cm	4 TO 7
	Paig	60 TO 100

* Please contact us for any type of customized automation in Non Return Valve for typical applications.

OTHER MFG. RANGE: Pressure Reducing Valve, Safety Relief Valve, Globe Valve, Ball Valve, Gate Valve, Butterfly Valve, Plug Valve, Non Return Valve, Automatic Control Valve, Pneumatic Control Valve, Motorised Control Valve, Knife Edge Gate Valve, Diaphragm Valve, Flush Bottom Valve, Strainer, Filter, Pressure Reducing Station, Gas Skid & All type of manual / actuator / cylinder operated valves with any type of automation.

* Please note this a condensed catalogue for a complete version please contact Flow-Tek directly.



Unit : 1 FLOW-TEK VALVES & CONTROLS

L-556, Nr. Odhav Police Station, GIDC Odhav, Ahmedabad - 382415.
 Phone : +91-79-22875310, 22894363, Fax : +91-79-22875310
 Mobile : 09824080899, 09824539702, 099040 31899
 E-Mail - info@flowagevalves.com
 Web Site - www.flowagevalves.com

Unit : 2 FLOW-TEK VALVES & CONTROLS INC.

Plot No. 172-173, Road No.4, GIDC Kathwada, Ahmedabad - 382430, Gujarat, INDIA
 Phone : +91-79-22900219, 22900220, Fax : +91-79-22875310
 Mobile : 09824080899, 09824539702, 099040 31899
 E-Mail - info@flowagevalves.com
 Web Site - www.flowagevalves.com